

# Night Vision Weapon Sight • NS-467C



## Features

- 4X magnification
- Ergonomic design
- Lightweight
- Compact
- High performance
- Gen 3, XD-4 or XR5  
Image intensifier tubes
- Red illuminated reticle
- Field replaceable reticle
- Rugged aluminium housing
- Standard AA batteries
- High boresight stability
- High reliability
- Standard MIL-STD-1913 mount

## Description

The NS-467C is a 4X magnification passive image intensifier sight for use on infantry weapons. In particular, it matches the range of individual and crew-served 5.56mm and anti-tank weapons. The main characteristics are the low weight, the small dimensions and excellent boresighting retention and performance under all light conditions due to the optimized optics and high performance image intensifier tubes.

The NS-467C incorporates an ELCAN Gen 4 Mounting Bracket Assembly that allows direct mounting on Picatinny (MIL-STD-1913) rails, precise adjustment in elevation and azimuth and retention of boresighting under harsh military conditions. Weapon brackets are available for a large variety of weapons without MIL-STD-1913 rails.

The optics of the NS-467C are optimized to take advantage of the characteristics of current high performance image intensifiers. They are lightweight, offer excellent resistance to adverse conditions and have scratch resistant and multilayer antireflection coating.

The NS-467C sight features a red, injected via the eyepiece ballistic reticle. The reticle is sharply defined and its brightness is adjusted to be visible against all conditions.

A novel feature of the NS-467C sight is that the reticle cell can be easily changed in the field without tools, thus allowing the use of the sight with different weapons. After replacing the reticle, the sight retains its sealing and there is no need for nitrogen purging.

The NS-467C sight is powered by two (2) AA batteries and employs an 18mm format 3<sup>rd</sup> Generation, XD-4 or XR5 image intensifier assembly in the ANVIS configuration.



TÜV HELLAS



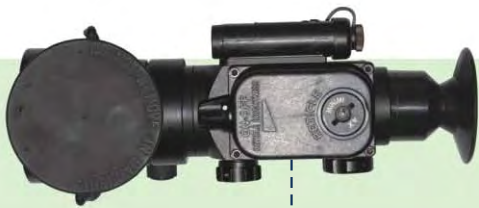
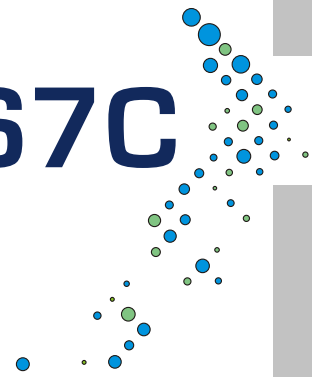
Factory:  
57 Ioannou Metaxa St., GR-19400,  
Koropi, Athens, Greece  
Tel.: +30-210-6641420,  
Fax: +30-210-6644093

e-mail: [info@theon.com](mailto:info@theon.com), URL: [www.theon.com](http://www.theon.com)

Headquarters:  
7 Stratigi St., GR-15451,  
N. Psychico, Athens, Greece  
Tel.: +30-210-6728610,  
Fax: +30-210-6728624

**Theon**  
sensors

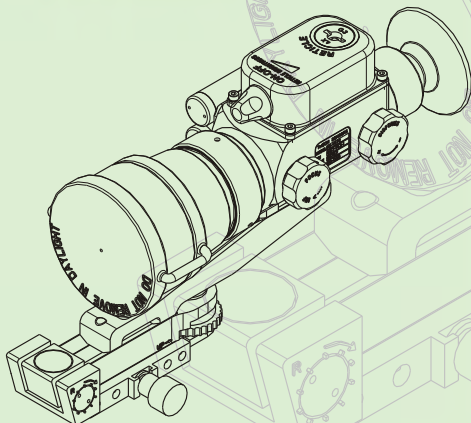
# Night Vision Weapon Sight • NS-467C



Field replaceable red illuminated ballistic reticle



Elcan Gen. IV mounting bracket



## Technical Specifications

### Physical

Weight (including batteries)	1.3 kg
Dimensions (Lx WxH)	302 x 105 x 147 mm
Operating temperature	-40°C to +52°C

### Optical

<b>General</b>	
Magnification	4X
Field of view	10.3°
System focus	15m to infinity
System resolution (min)	3.6 lp/mrad

### Objective Lens

Focal length	100mm
F#	1.5
T#	1.6
Aperture	67mm

### Eyepiece

Focal length	25 mm
Exit Pupil	8 mm
Eye Relief	30 mm
Focus	+2 to -6 dioptries

### Reticle

Type	Ballistic or per customer specification
Colour	Red
Intensity	Adjustable
Replacement	In the field without tools

### Electrical

Batteries	2 X 1.5V typeAA Alkaline
Battery life	> 60hours at 20°C

### Image Intensifier

18 mm, ANVIS, Gen 3, XD-4, XR5

### Mounting bracket

Type	Elcan Gen 4 mounting bracket. Conforms to MIL-STD-1913 (Picatinny)
Elevation Adjustment	50 mils
Azimuth Adjustment	45 mils
	0.25 mils/click

■ identification  
■ recognition

